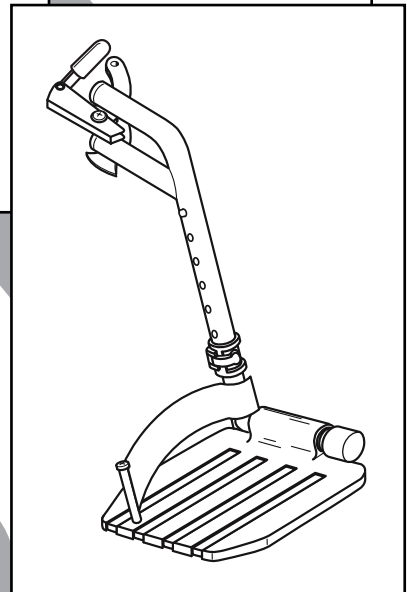
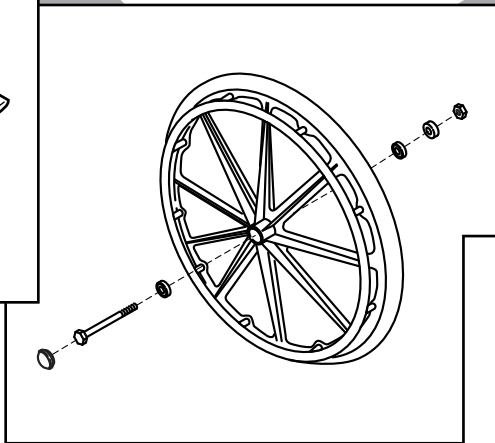
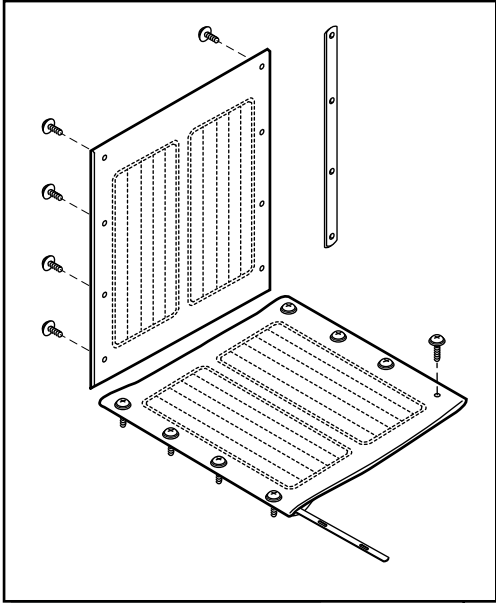


PARTS CATALOG



CONTENTS

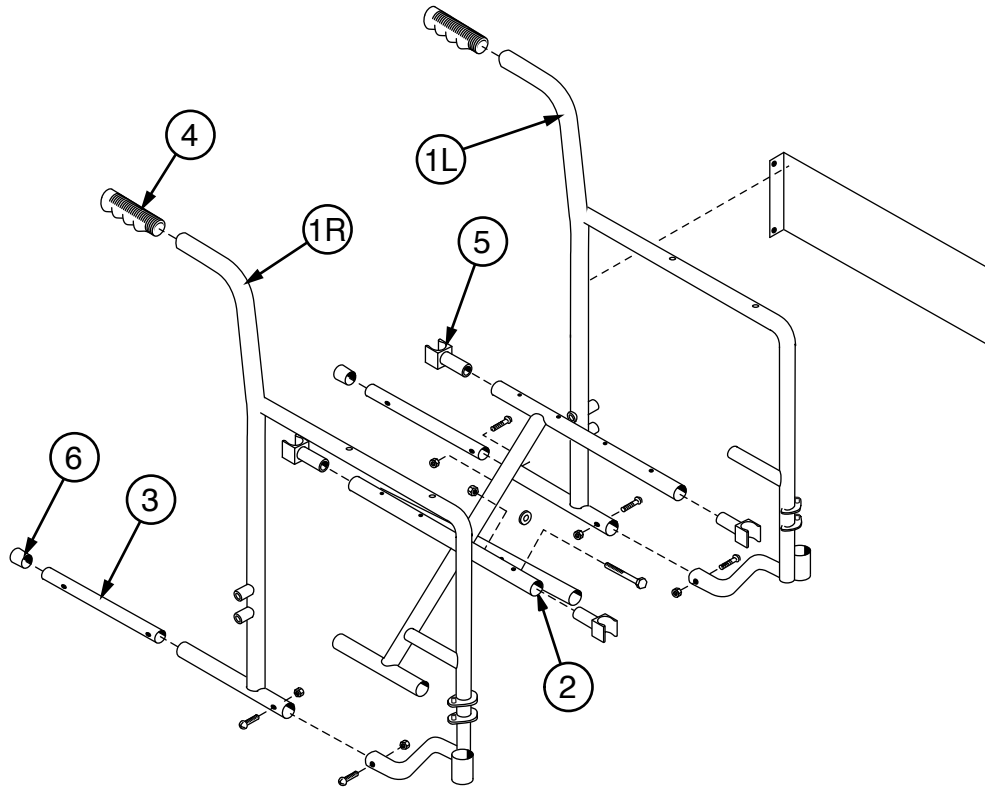
SIDEFAME (FIXED ARM), CROSSBRACE, ARM PAD KIT	3
SIDEFAME (DETACHABLE ARM), CROSSBRACE.....	4
ARM, DETACHABLE	5
CASTER.....	5
REAR WHEEL	6
FRONT RIGGING, DETACHABLE	6
UPHOLSTERY	7
ACCESSORIES	7

TO ORDER

Tel: 1.342.7725 • Fax: 1.371.9514

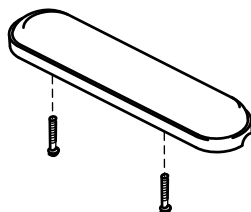
Returns: Parts may not be returned without prior authorization. Custom parts cannot be returned for credit.

SIDEFAME (FIXED ARM), CROSSBRACE, ARM PAD KIT



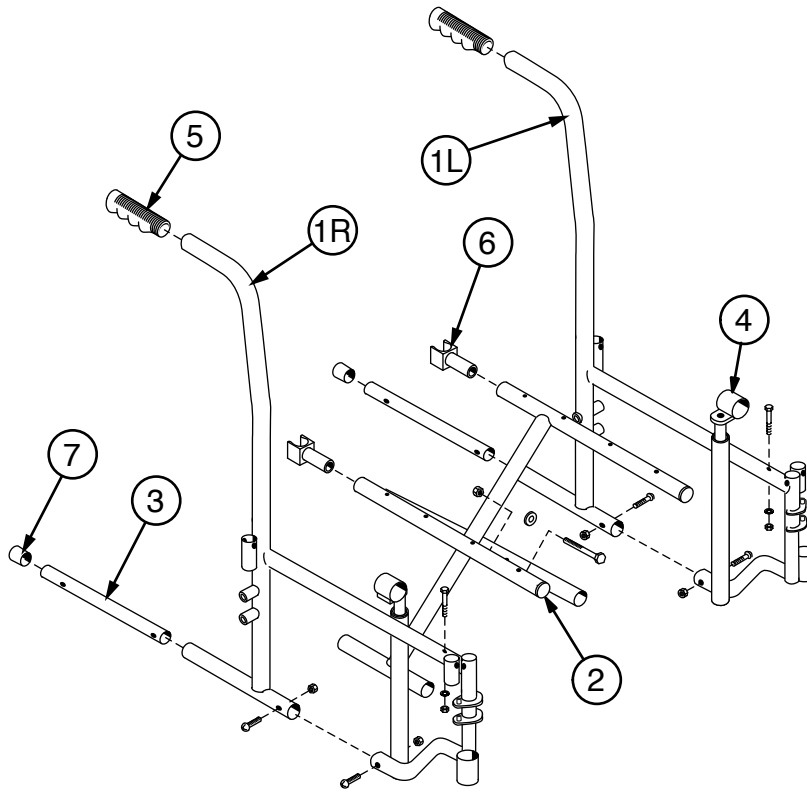
- 1 Sideframe, fixed arm, all widths, 16" deep (includes side panel)**
 Right.....90763001A
 Left90763002A
- 2 Crossbrace, pair (includes center bolt and nut)**
 16" Wide x 16" deep907630C1A
 18" Wide x 16" deep907630C2A

- 3 Bottom inner rail kit (includes bottom inner rail (2 each) and screw and nut that hold bottom inner rail (4 each))**
 90763003A
- 4 Grip (10 each) 90763005A**
- 5 Seat rail guide (4 each) 90763004A**
- 6 Tipping sleeve (10 each)..... 90763006A**



- Arm pad kit**
 Includes 2 black full length arm pads and mounting screws 90763023A

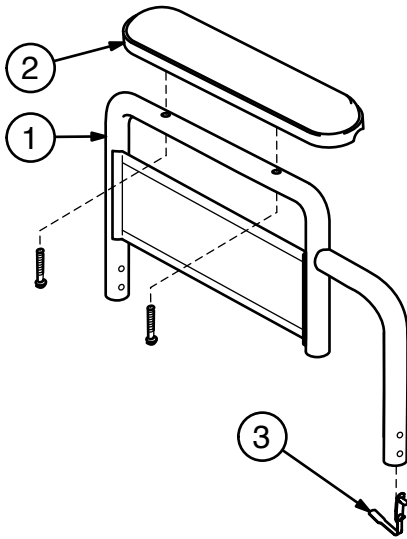
SIDEFRADE (DETACHABLE ARM), CROSSBRACE



- 1 Sideframe, detachable arm**
 16" x 16", 18" x 16", 20" x 16"
 Right..... 90763011A
 Left..... 90763012A
- 2 Crossbrace, pair (Includes center bolt and nut)**
 16" Wide x 16" deep 907630C1A
 18" Wide x 16" deep 907630C2A
 20" Wide x 16" deep 907630C3A

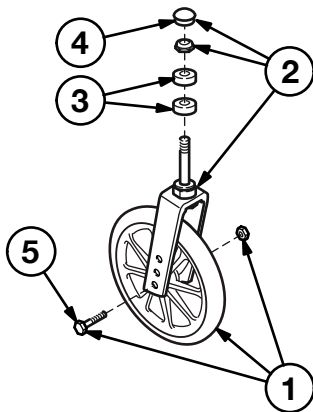
- 3 Bottom inner rail kit (includes bottom inner rail (2 each) and screw and nut that hold bottom inner rail (4 each))**
 90763003A
- 4 Seat slide (2 each)..... 90763013A**
- 5 Grip (10 each) 90763005A**
- 6 Seat rail guide, rear (2 each) 90763015A**
- 7 Tipping sleeve (10 each)..... 90763006A**

ARM, DETACHABLE



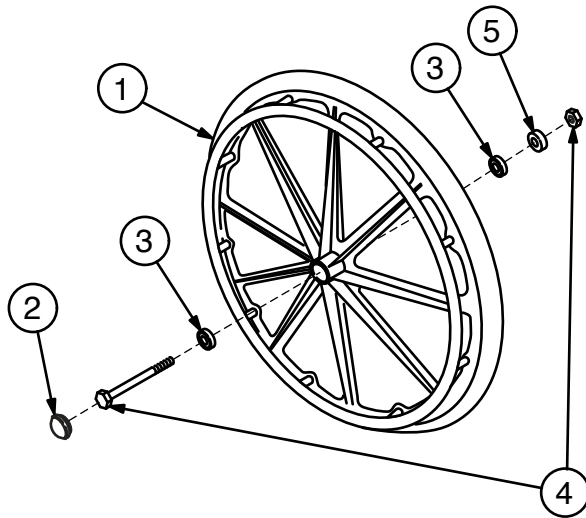
- | | | |
|----------|---|-----------|
| 1 | Arm, detachable fixed-height, pair
(includes right and left arm with side panel and spring lock (does not include arm pad)) | |
| | Desk length..... | 90763020A |
| | Full length..... | 90763021A |
| 2 | Arm pad, pair (includes two black arm pads and mounting screws) | |
| | Desk length..... | 90763022A |
| | Full length..... | 90763023A |
| 3 | Spring lock (10 each) | 90763024A |

CASTER



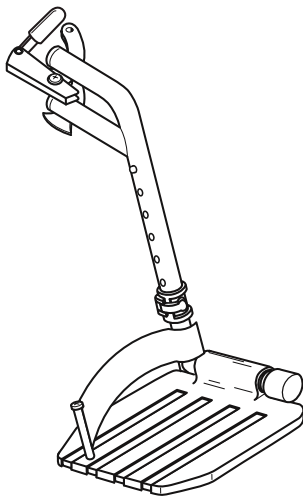
- | | | |
|----------|--|-----------|
| | Complete caster (fork and wheel),
8" x 1" solid rubber tire..... | 90763040A |
| 1 | Caster wheel, axle and nut | 90763041A |
| 2 | Caster fork, stem nut and dust cap | 90763042A |
| 3 | Caster stem bearing (10 each) | 90763043A |
| 4 | Caster dust cap (10 each) | 90763044A |
| 5 | Caster axle and nut (10 each) | 90763045A |

REAR WHEEL



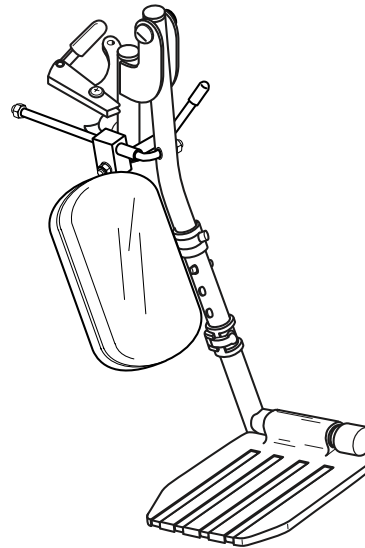
- | | |
|--|-----------|
| 1 Rear wheel with handrim, 24" x 1", solid rubber tire (includes hub cap and bearing; does not include axle or nut)..... | 90763050A |
| 2 Hub cap (10 each)..... | 90763051A |
| 3 Wheel bearing (10 each)..... | 90763052A |
| 4 Rear axle and nut (10 each) | |
| Fixed-arm sideframe..... | 90763053A |
| Detachable-arm sideframe..... | 90763054A |
| 5 Spacer (10 each)..... | 90763055A |

FRONT RIGGING, DETACHABLE



Footrest, pair, all widths
Includes right and left hanger with release and composite footplate with extension and heel loop..... 90763030A

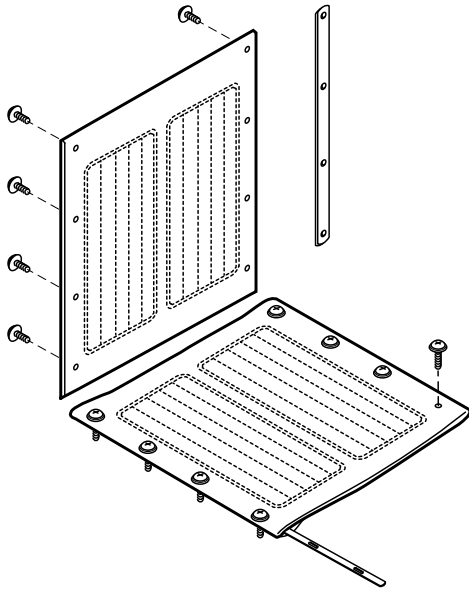
Composite footplate, pair
(Fits all front rigging)..... 90763033A



Low-pivot elevating legrest, pair, all widths
Includes right and left hanger with release, composite footplate with extension, and legrest panel (does not include heel loop)..... 90763031A

Elevating legrest panel kit
(Fits all elevating legrests)
Includes 2 black padded panels and hardware.....90763032A

UPHOLSTERY



Back upholstery, black leatherette, with built-in chart holder (includes mounting strips and hardware)

- 16" Wide 907630A1A
- 18" Wide 907630A2A
- 20" Wide 907630A3A

Seat upholstery black leatherette, 16" deep (includes mounting strips and hardware)

- 16" Wide 907630B1A
- 18" Wide 907630B2A
- 20" Wide 907630B3A

ACCESSORIES

Traveler SE Plus accessories (not shown)

- 1 Heel loop, pair..... 90763064A
- 2 Wheel lock, pair (includes rubber tips)
 - Fixed-arm chair, push to lock 90763070A
 - Detachable-arm chair, push to lock 90763060A
- 3 Rubber tip, wheel lock (10 each)..... 90763063A
- 4 Wheel lock extension, pair 90763062A
- 5 Positioning belt
 - metal buckle 92133040
 - auto style 300-505
- 6 Anti-Fold bar 92523850
- 7 O2-IV holder B10320F
- 8 O2 cylinder holder B10325
- 9 Anti-Tippers (pair) 90763230A

